



AXXESSMARINE



AX50, AX100 & AX200 OMNIDIRECTIONAL ANTENNAS

AXXESS MARINE LLC

support@axxess-marine.com

Phone: +1 954 354 2077



SUMMARY

Introduction	3
AX Range	3
AX ANTENNAS - Yachting Base	4
AX ANTENNAS - Commercial Base	4
Product Description	5
Gain Specification - Single module antennas	6
Mechanical Specification	7
Environmental Specification	7
Electrical Specification	7
Box content	7

INTRODUCTION

AX Range

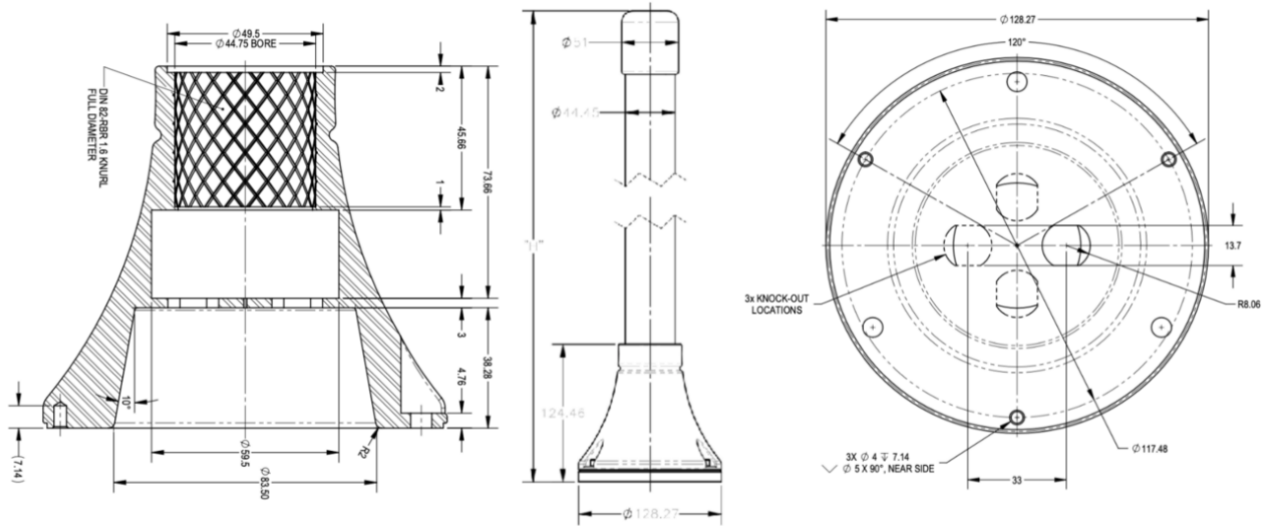
The AX range of antennas is custom made, all electrical connections are hand soldered and gold plated for maximizing reliability, minimizing loss, and preventing corrosion. The internal architecture is proprietary in design and uniquely developed for the marine industry by technologists who design and build antennas for the NASA Space Program. Extensive research and performance testing have resulted in a range of antennas with a game-changing performance like no others, from both private yachting and commercial marine.

AX Omni Directional Antenna series covers digital, analog, and PCS cell bands and available in 3 sizes: 0.5 m, 1 m, 2 m radome.

Further, the 1 m and 2 m models are also available with dual-module configurations to better adapt to the accelerating requirements of maritime industry. The 2m antenna is available with quad-module configuration as well.

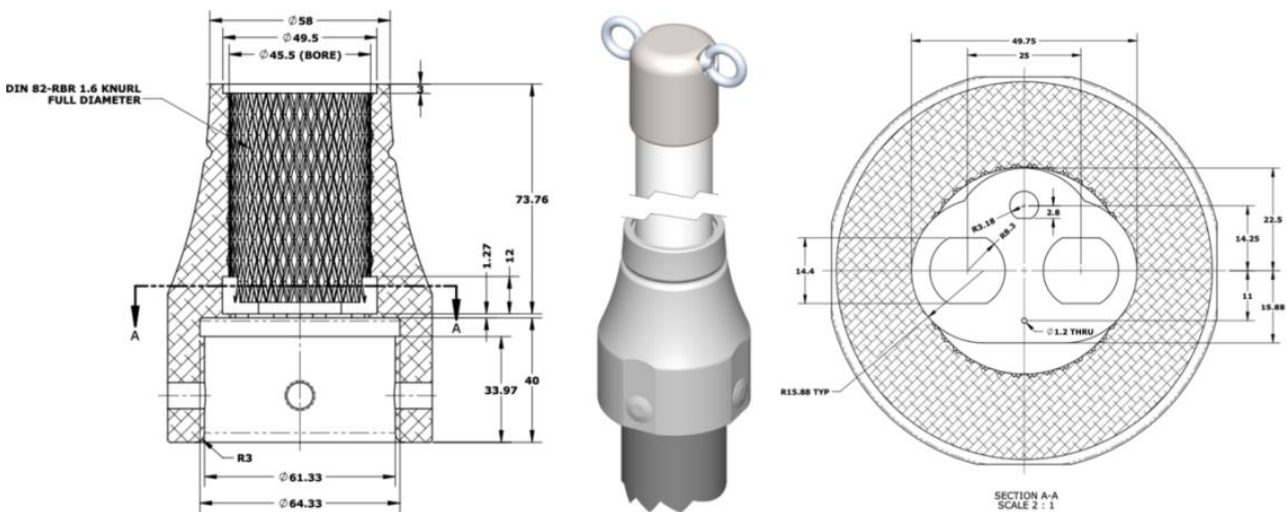


AX ANTENNAS - Yachting Base



A combination of extensive technical research and our desire to innovate within the maritime antenna market has led to the creation of the AX antenna range of products. Originally introduced to meet the exacting demands of the luxury yachting sector, the AX range has also evolved into a tried and tested hardware solution for the commercial marine sector. While the design and performance of the antenna remains identical for both markets, we've created a bespoke design for the antenna bases to ensure they meet the specific demands of both yachting and commercial clients. The aesthetics of the AX range are perfectly suited to the design environment onboard a superyacht, ensuring the vessel's sleek lines are complimented and that base enables a robust but unobtrusive mounting to the deck as required. And, while the AX range can deliver unrivalled performance in the harshest marine conditions, the IP68 rating ensures maximum durability together with flexibly provided by the pole mounted base and top loop design perfectly suited to commercial vessels.

AX ANTENNAS - Commercial Base



Regulatory Compliance: RoHS 2011/65/EU Compliant | ISO
www.axxess-marine.com



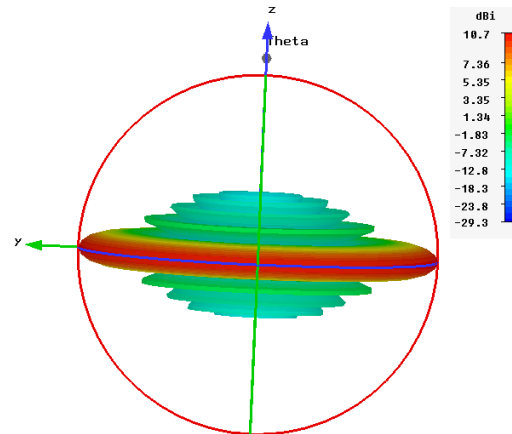
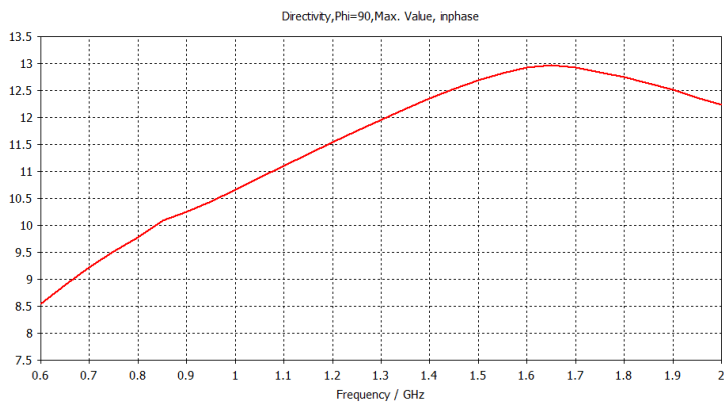
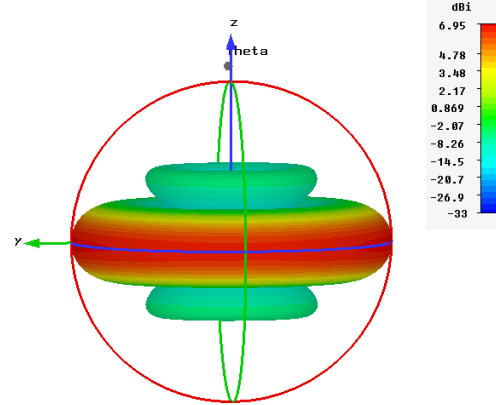
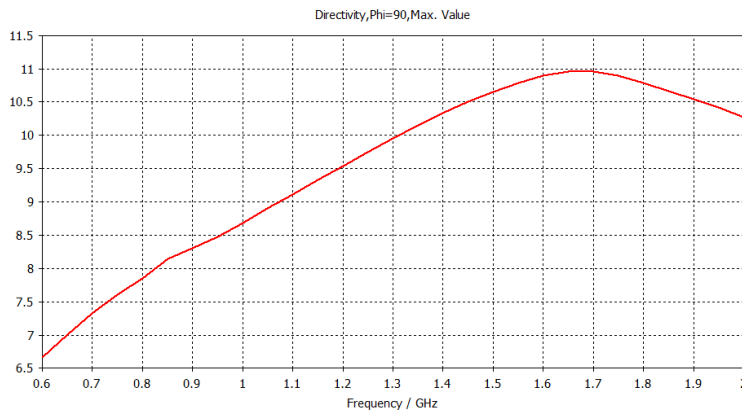
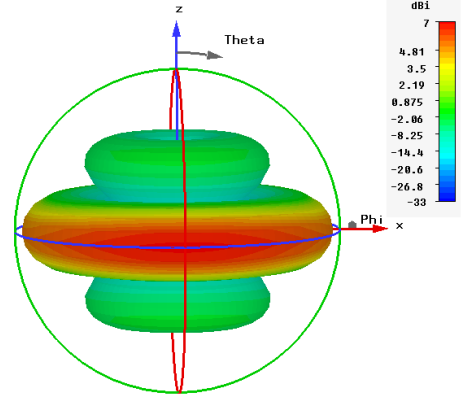
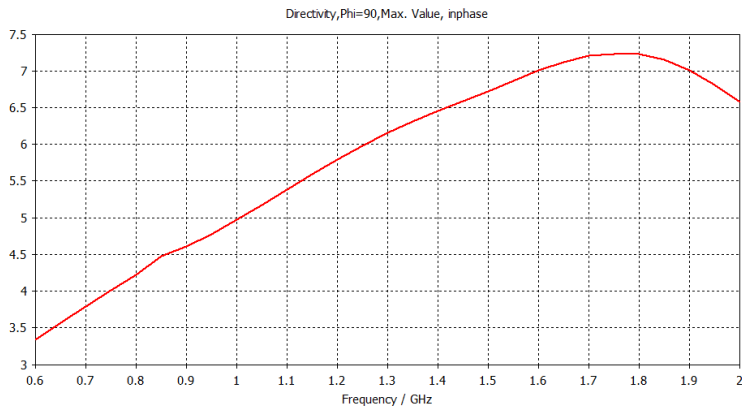
Product Description



Product	AX50	AX100	AX200
Frequencies (Mhz)	695 - 3000	695 - 3000	695 – 3000
Length Single Antenna (cm)	50	100	200
Length Duo Antenna (cm)	-	50	100
Length Quad Antenna (cm)	-	-	50
Gain Single Antenna (dBi)	5.5-7.5	8.5-11	8.5-13
Gain Duo Antenna (dBi)	-	5.5-7.5	8.5-11
Gain Quad Antenna (dBi)	-	-	5.5-7.5

Gain Specification - Single module antennas

Frequency (MHz)	AX50	AX100	AX200
698 - 960	4.22 dBi	7.86 dBi	8.5 dBi
1710 - 2170	7.23 dBi	10.92 dBi	12.97 dBi
2300 - 2400	6.49 dBi	9.94 dBi	12.43 dBi
2500 - 2950	5.98 dBi	9.21 dBi	11.87 dBi



Mechanical Specification

	AX50	AX100	AX200
Product Dimensions	57 cm	107 cm	207 cm
Part # Single	216-290-005	216-291-005	216-293-005
Part # DUO	N/A	216-291-005-2	216-293-005-2
Weight Aluminum	6.7 lbs / 3 kg	8.4 lbs / 3.8kg	9.8 lbs / 4.4 kg
	22" Marine Antenna carton	42" Marine Antenna carton	84" Marine Antenna carton
Package Dimensions	26-1/2" x 8" x 8"	46" x 8" x 8"	92" x 8" x 8"
	67.3 x 20 x 20 cm	117 x 20 x 20 cm	217 x 20 x 20 cm
Package Weight	6.9 lbs / 3.1 kg	8.8 lbs / 4 kg	10.6 lbs / 4.8 kg
Radome material	Fiberglass	Fiberglass	Fiberglass
Radome color	White / Black	White / Black	White / Black
Base material	Aluminum	Aluminum	Aluminum
Custom order Base Material	Stainless Steel 316	Stainless Steel 316	Stainless Steel 316

Environmental Specification

Wind Test	120 km/h
Temperature Operating range	45 °C to 75 °C
Environmental Conditions	Marine / Outdoor
Storage Humidity	Up to 98%
Operating Relative Humidity	5% - 95%

Electrical Specification

VSWR	< 2.5:1
Power	50 Watt
Input impedance	50 ohm
DC Short	Yes
Polarization	Vertical

Box content

Antenna with Flat mounting base	1
Allenkey	1
Spare Base Plate bolts	3